



www.screen-house.com

HARD TOP & INSULATED PATIO COVERS

Quality DIY Kits Shipped Nationwide. Your online source of screen enclosures, porch kits, patio covers, carports & more since 1997.



ScreenHouse
1.800.922.4760



Versatile, high-quality and ready to assemble



Manufactured to your local code requirements



Great for homes, cottages and trailers



Designed for DIYers.

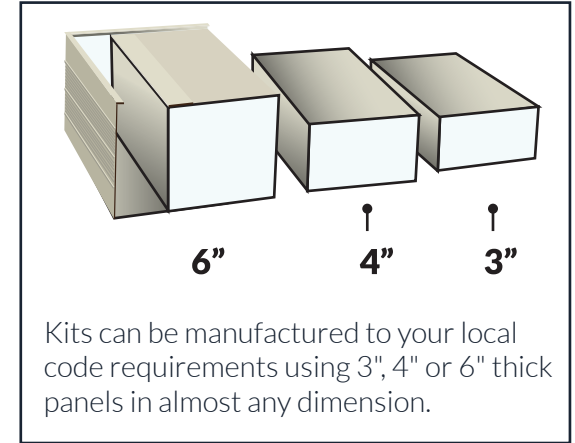


INSULATED COVERS



Versatile, high-quality and ready to assemble patio cover kits for the price conscious home owner who wants a practical, professional looking finished product.

Insulated covers offer a fast and easy installation with snap-lock panels made with a high density 1.5 lb expanded polystyrene core.



Kits can be manufactured to your local code requirements using 3", 4" or 6" thick panels in almost any dimension.

FLAT PAN ALUMINUM COVERS



Flat pan roof systems offer a more economical option for a permanent three season screen enclosure. They are ideal for areas where insulation from the direct sun isn't really needed. Can be installed at home, at the cottage or at the trailer and capable of snow loads up to 40psf

Flat pan and W pan roof systems offer a more economical option for a permanent three season screen enclosure.

W PAN ALUMINUM COVERS



W pan systems are available in .019", .025" and .032" gauge thicknesses. The thickness you require will be determined by the live load rating set out by your local building department

All panels come standard with a 15 year warranty, and are a customer favorite given their durability and thermal performance.



TOP ONLY & COMPLETE KITS



Top Only kits comes with roof panels each at 4' wide, rear extruded and thermally broken header, side extruded fascias, front extruded gutter, sealant, tar tape, drain scuppers, all necessary 'internal' hardware and touch up paint.

Complete kits include the above plus the extruded aluminum set-back beam and aluminum posts with top and bottom brackets.

Buy Standard Sizes Online

We have a number of standard hard top patio covers available to purchase online. Shipped within weeks!

FEATURES & OPTIONS



Fan beam panels are available as a hidden conduit to hide wiring & add structural integrity.



Our units are **pre-engineered** roofing systems that have been approved by qualified, state approved engineers in 45 States and rated according to 2011 International Building Codes. *Snow load details on last page.*



Cover kits work great as **carports** - the perfect way to get that extra storage space and protection for your cars, trucks, boats, tractors and other lawn equipment



The **front fascia** gutter contains a full rain gutter system, including scuppers to direct the water run off away from your unit. Fascia is available in white, clay or bronze.

Custom Sizes & Quotes

Need a quote for a custom sized patio cover? Give us a call us at 1.800.922.4760.

VISIT SITE



ROOF SPECS

- 3", 4" & 6" thick "engineered" insulated panels (1.5lbs Polystyrene Core)
- Flat Pans come in 2 thickness options: .024" or .030".
- W Pans come in 3 thickness options: .019, .025 and .032.
- Projections from 4' to 20' & Widths from 4' up!
- 20, 30 & 40+ lb./sq. ft. snow load ratings. See cover options below or the snow load information page for more details.

ENGINEERING

These units are designed according to the available engineering for our roof systems. The screen wall system we supply will always be more than sufficient to support the roof and the load for your area. However engineering on the screen walls is not available. So if you are going to get a permit for this unit, we will incorporate, into the design, a set of beam and posts which will satisfy your municipal building department requirements.

INCLUDED IN YOUR DIY KIT

- Roof Panels & rear extruded and thermally broken C channel
- **Full Kit Only:** Set-back beam, aluminum posts with top and bottom brackets
- Side extruded fascia & Front extruded gutter
- Screws & hardware
- Lags for panel to beam connection
- Posts, sealant, drain scuppers, touch up paint, tar tape
- Instructions

Hardware to mount the back-wall 'C' channel to be purchased locally.

INSULATED PANEL SNOW LOADS

Projection	3" Panels	4" Panels	6" Panels
6'	80 lbs./sq. ft.	over 80 lbs./sq. ft.	over 80 lbs./sq. ft.
8'	50 lbs./sq. ft.	70 lbs./sq. ft.	over 80 lbs./sq. ft.
10'	30 lbs./sq. ft.	50 lbs./sq. ft.	70 lbs./sq. ft.
12'	20 lbs./sq. ft.	35 lbs./sq. ft.	50 lbs./sq. ft.
14'	10 lbs./sq. ft.	25 lbs./sq. ft.	35 lbs./sq. ft.
16'	n/a	15 lbs./sq. ft.	25 lbs./sq. ft.

FLAT & W PAN MAX PANEL SIMPLE SPAN

Live Load	Wind Speed	.023"	.030"
20	90	8'6"	10'6"
30	90	7'6"	9'2"
40	90	5'8"	6'11"

WARRANTY

The insulated panels are guaranteed not to peel, blister, flake, chip, split, rust, crack or delaminate for a period of 15 years. The aluminum extrusions are guaranteed not to peel, blister, flake, rust, chip, split or crack for 5 years. Subject to the limitations and conditions listed in the LK Aluminum warranty program



www.screen-house.com

**SUPERIOR
QUALITY**

**BEST
VALUE**

**GENIUNE
SUPPORT**



Screenhouse
Quality DIY Kits Shipped Nationwide

Your online source of quality DIY solutions since 1997. Thank you for 20+ years of business!

SUPERIOR QUALITY

Pro grade screened in porch kits sourced from premium manufactures throughout the USA.

BEST VALUE

The best vendors, design and delivery process get you the best value for your money.

GENUINE SUPPORT

We've provided custom screening system since the late 90's and will be for the next 20!



About Us

We are a longstanding partnership, and have been sourcing, selling and supporting DIY enclosures, patio covers, awnings and more since 1997. We have a passion for being able to do things for ourselves - with excellence!

When we choose to do business with a manufacturer, it will always be based on the quality of the product PLUS the passion of the manufacturer to have a happy do it yourself'er at the end of the project.



ScreenHouse
1.800.922.4760