

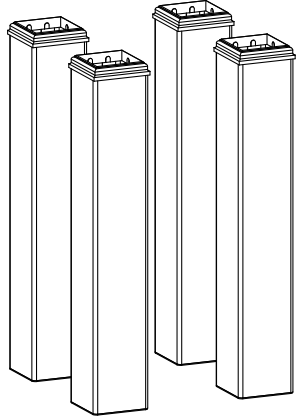
# ASSEMBLY INSTRUCTIONS

## Base Molding

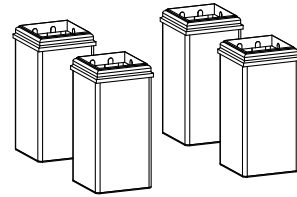


www.wearevita.com

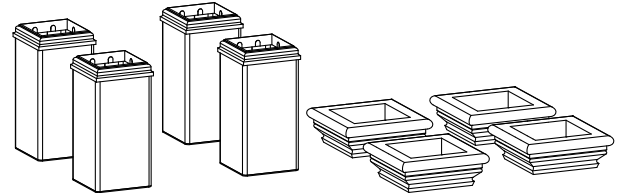
**Note:** This set of instructions provides assembly details for the following products:



**BP81000 - Pergola Base Molding- Tall**  
**VA81011 - Composite Pergola Base Molding - Tall**



**BP81001 - Pergola Base Molding- Short**  
**VA81012 - Composite Pergola Base Molding - Short**



**BP80000 - 5" x 5" (13 cm x 13 cm) Arbor Trim Kit**

*Please read through before starting installation.*

### Check Box for These Contents

In the event of missing or defective parts please call our customer service dept. at **1 800 282 9346** (Mon. to Fri. 8:00 AM to 5:00 PM EST).

### Pergola Base Molding - Tall

1. Top Trim Cap (4) White #10764 Composite #14055
2. Tall Extrusion (4) White #10175-1 Composite #14092 - 6" x 6" x 36" (15 cm x 15 cm x 91 cm)
4. Bottom Trim (4) White #10765 Composite #14057
6. Vinyl Glue (1) - White #20000 Composite #20022

### Pergola Base Molding - Short

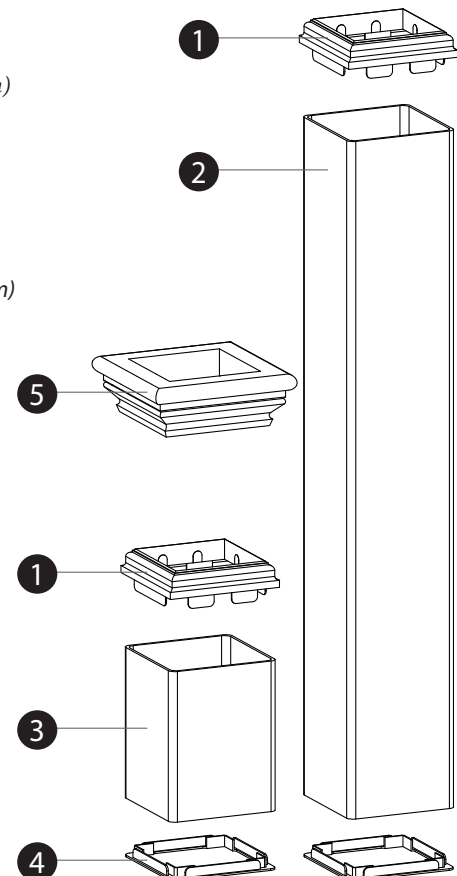
1. Top Trim Cap (4) White #10764 Composite #14055
3. Short Extrusion (4) White #10173-1 Composite #14056 - 6" x 6" x 8" (15 cm x 15 cm x 20 cm)
4. Bottom Trim (4) White #10765 Composite #14057
6. Vinyl Glue (1) - White #20000 Composite #20022

### 5" x 5" (13 cm x 13 cm) Arbor Trim Kit

1. Top Trim Cap (4) White #10764
3. Short Extrusion (4) White #10173-1 - 6" x 6" x 8" (15 cm x 15 cm x 20 cm)
4. Bottom Trim (4) White #10765
5. 5" x 5" (13 cm x 13 cm) Post Trim (4) White # 10698-1
6. Vinyl Glue (1) - White #20000



6



# STEPS

**1**

Using the glue provided, run a small bead around the inside of the base molding extrusion.

**2**

Carefully place the bottom trim on one end of the base molding extrusion.

**3**

Run another bead of glue on the other (inside) end of the base molding extrusion.

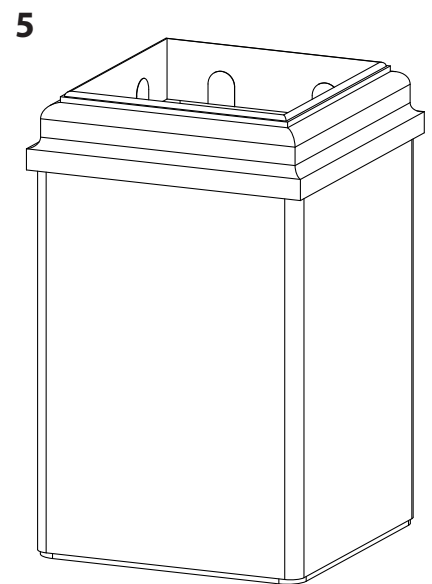
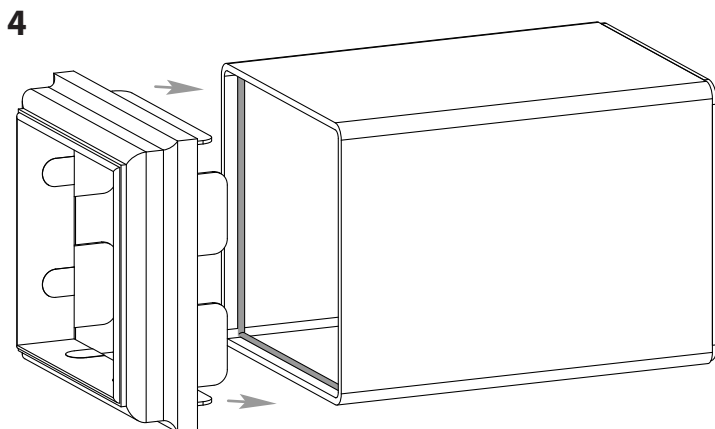
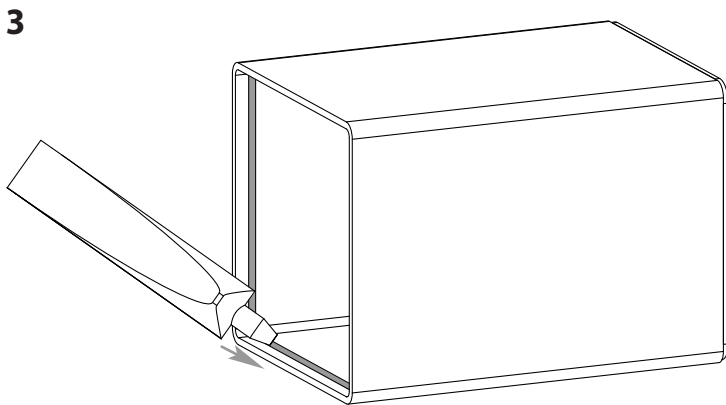
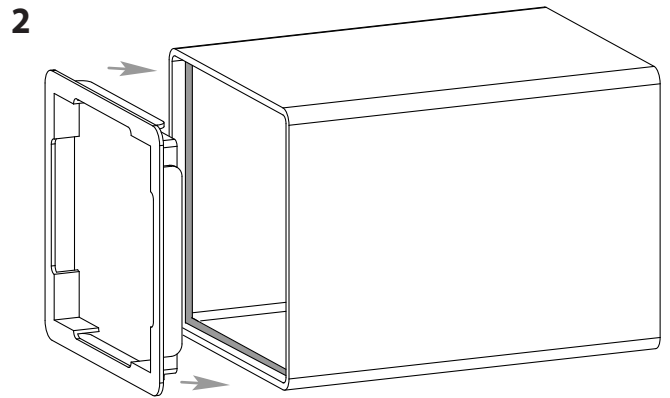
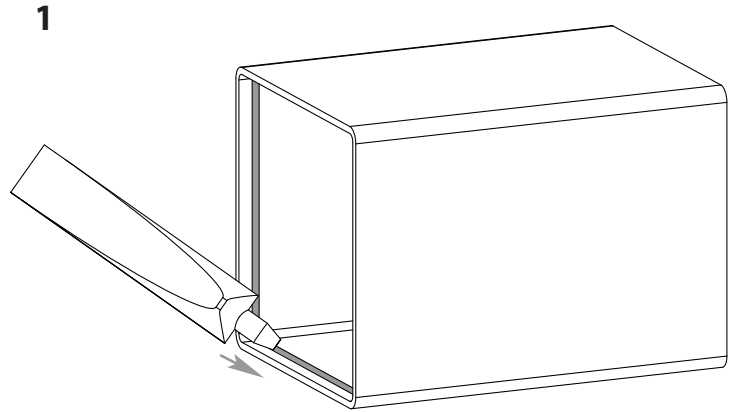
**4**

Carefully place the top trim cap on the base molding extrusion.

**5**

Repeat for all base moldings.

Note: Please allow the glue to set for 15 minutes prior to installing the base molding on the pergola/arbor.



# STEPS

On the Bottom Trims, there is a notch alongside the inside face. this is designed to clear screw heads during installation:

**1**

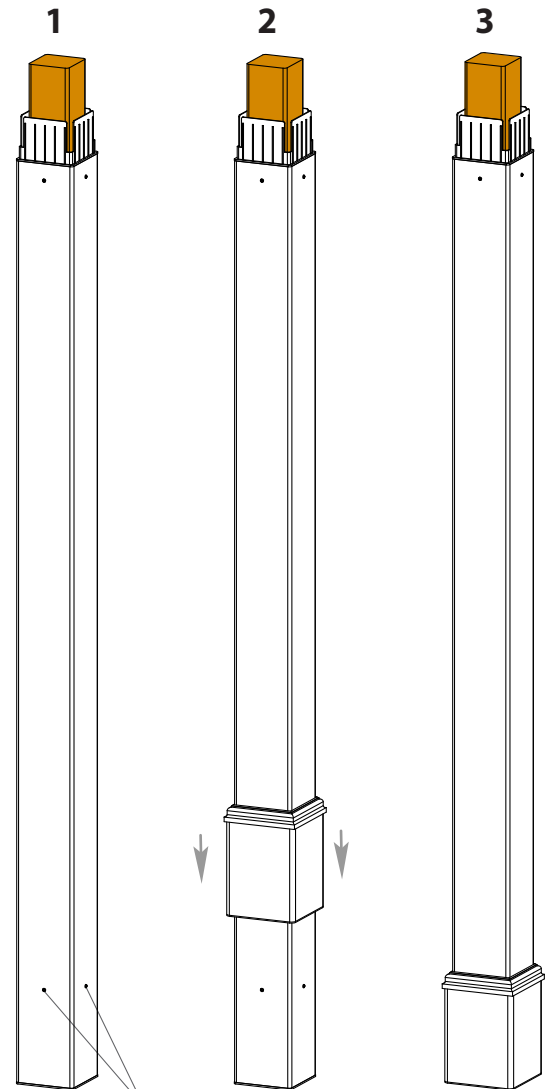
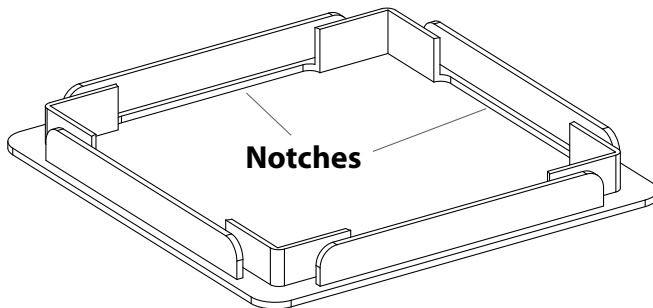
Typically your post would be fastened to a wooden post as shown.

**2**

The base molding then can slide down and clear the screw heads.

**3**

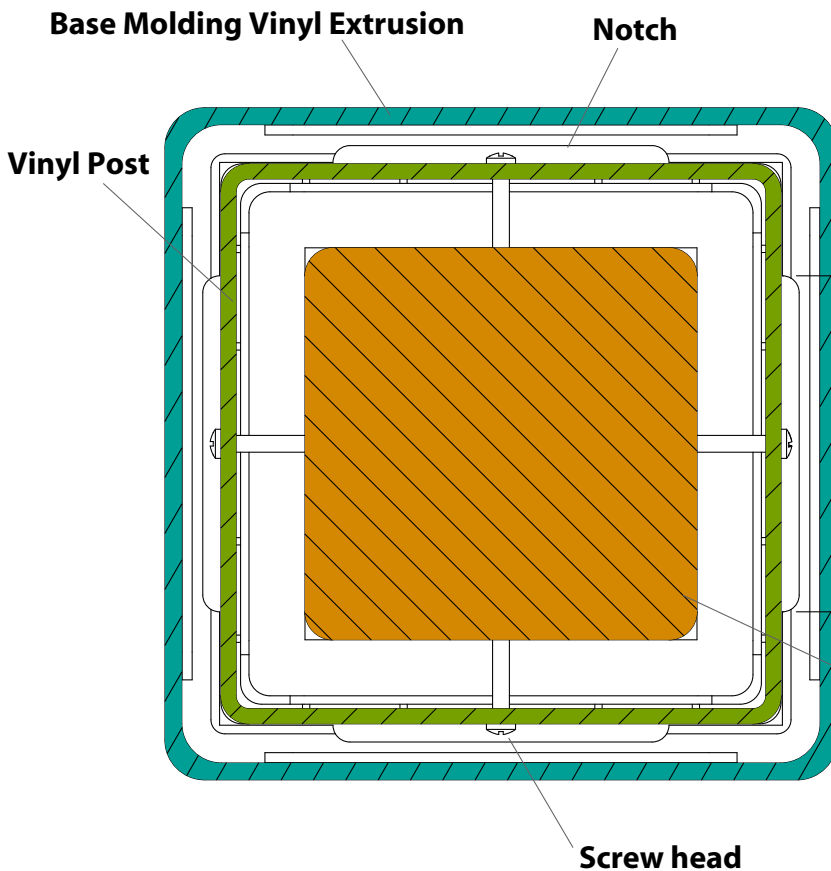
To make sure the base molding clears the screw heads, the screws fastening the post to the wooden post should be well within a 1½ in (4 cm) radius of the center of the post.



Screws fastening the vinyl post to the wooden post.

3 in (7.6 cm)

Wooden Post



Section view showing the notches in the bottom trim clearing the screw heads.