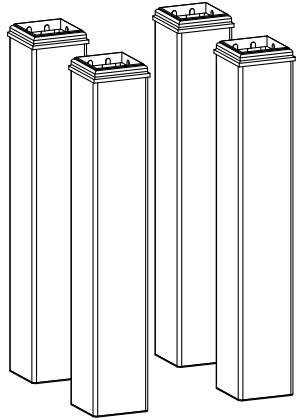


ASSEMBLY INSTRUCTIONS

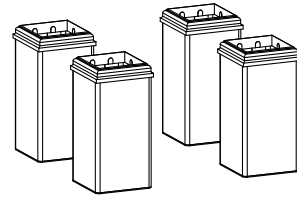
Base Molding



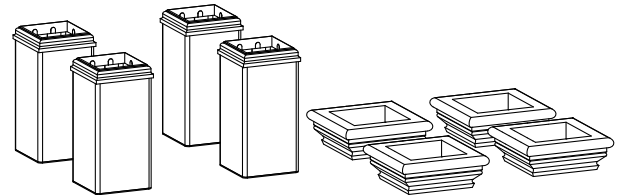
Note: This set of instructions provides assembly details for the following products:



BP81000 - Pergola Base Molding- Tall
VA81011 - Composite Pergola Base Molding - Tall



BP81001 - Pergola Base Molding- Short
VA81012 - Composite Pergola Base Molding - Short



BP80000 - 5" x 5" (13 cm x 13 cm) Arbor Trim Kit

Please read through before starting installation.

Check Box for These Contents

In the event of missing or defective parts please call our customer service dept. at **1 800 282 9346** (Mon. to Fri. 8:00 AM to 5:00 PM EST).

Pergola Base Molding - Tall

1. Top Trim Cap (4) White #10764 Composite #14055
2. Tall Extrusion (4) White #10175-1 Composite #14092 - 6" x 6" x 36" (15 cm x 15 cm x 91 cm)
4. Bottom Trim (4) White #10765 Composite #14057
6. Vinyl Glue (1) - White #20000 Composite #20022

Pergola Base Molding - Short

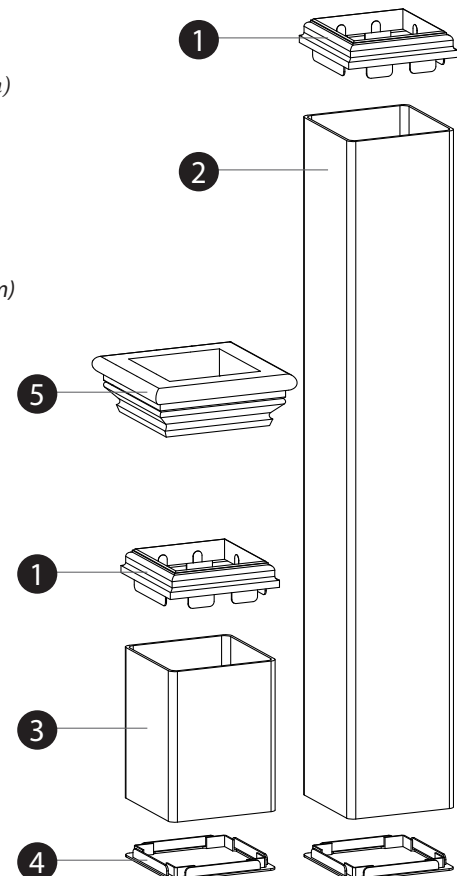
1. Top Trim Cap (4) White #10764 Composite #14055
3. Short Extrusion (4) White #10173-1 Composite #14056 - 6" x 6" x 8" (15 cm x 15 cm x 20 cm)
4. Bottom Trim (4) White #10765 Composite #14057
6. Vinyl Glue (1) - White #20000 Composite #20022

5" x 5" (13 cm x 13 cm) Arbor Trim Kit

1. Top Trim Cap (4) White #10764
3. Short Extrusion (4) White #10173-1 - 6" x 6" x 8" (15 cm x 15 cm x 20 cm)
4. Bottom Trim (4) White #10765
5. 5" x 5" (13 cm x 13 cm) Post Trim (4) White # 10698-1
6. Vinyl Glue (1) - White #20000



6



STEPS

1

Using the glue provided, run a small bead around the inside of the base molding extrusion.

2

Carefully place the bottom trim on one end of the base molding extrusion.

3

Run another bead of glue on the other (inside) end of the base molding extrusion.

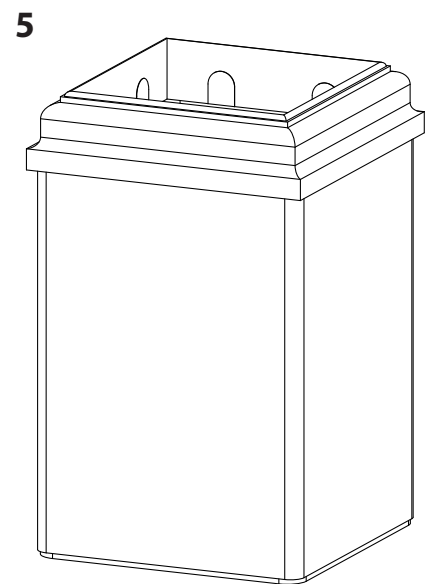
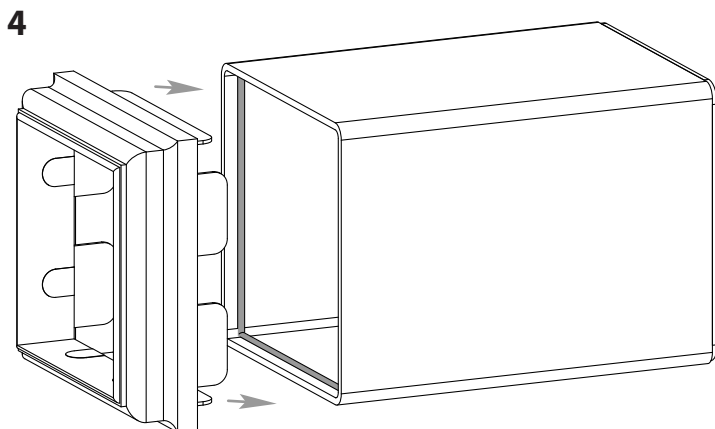
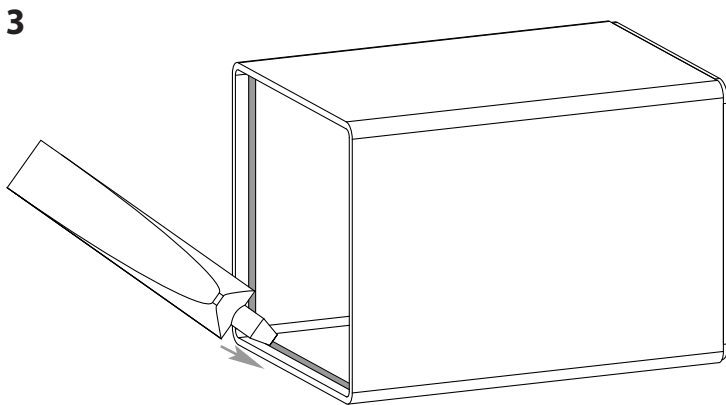
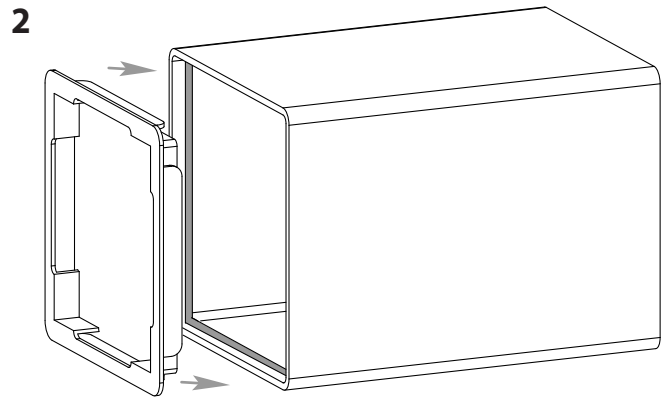
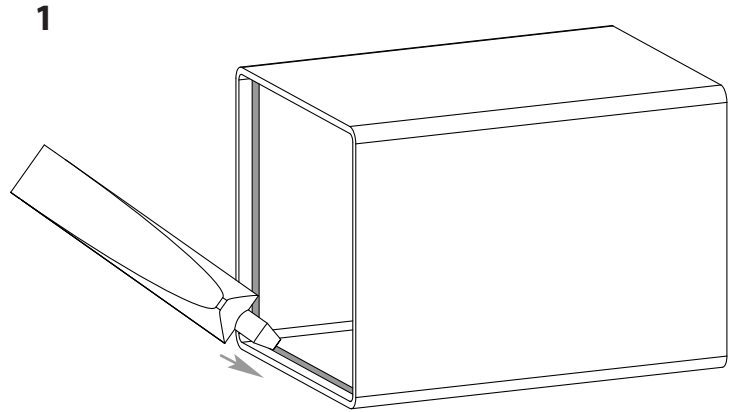
4

Carefully place the top trim cap on the base molding extrusion.

5

Repeat for all base moldings.

Note: Please allow the glue to set for 15 minutes prior to installing the base molding on the pergola/arbor.



STEPS

On the Bottom Trims, there is a notch alongside the inside face. this is designed to clear screw heads during installation:

1

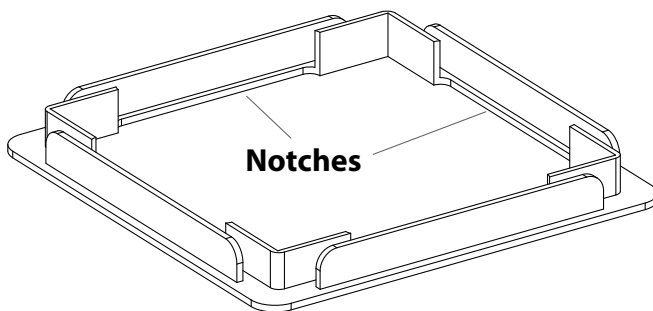
Typically your post would be fastened to a wooden post as shown.

2

The base molding then can slide down and clear the screw heads.

3

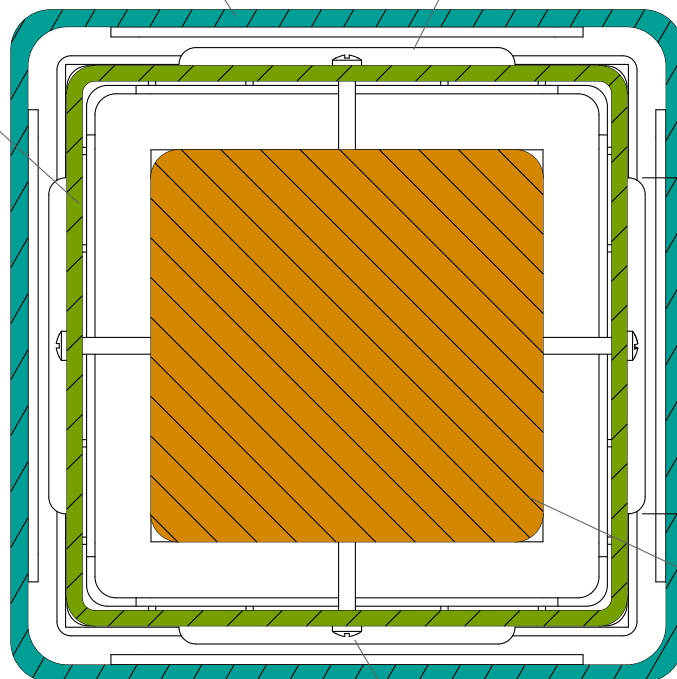
To make sure the base molding clears the screw heads, the screws fastening the post to the wooden post should be well within a 1½ in (4 cm) radius of the center of the post.



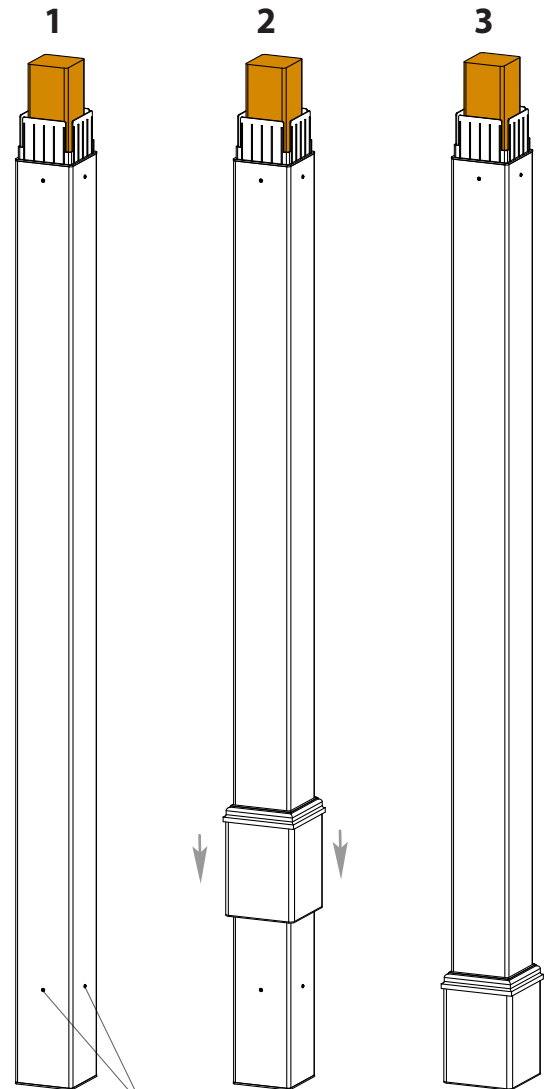
Base Molding Vinyl Extrusion

Notch

Vinyl Post



Section view showing the notches in the bottom trim clearing the screw heads.



Screws fastening the vinyl post to the wooden post.

3 in (7.6 cm)

Wooden Post